

COMMON MODE CHOKES

LFU26 SERIES



FEATURES:

- 1A to 3A ratings, low temperature rise
- 3.3mH to 30mH dual chokes
- Excellent Mechanical Strength
- High Reliability and variant PCB-mount housing
- Low resistance and temperature rise

APPLICATIONS:

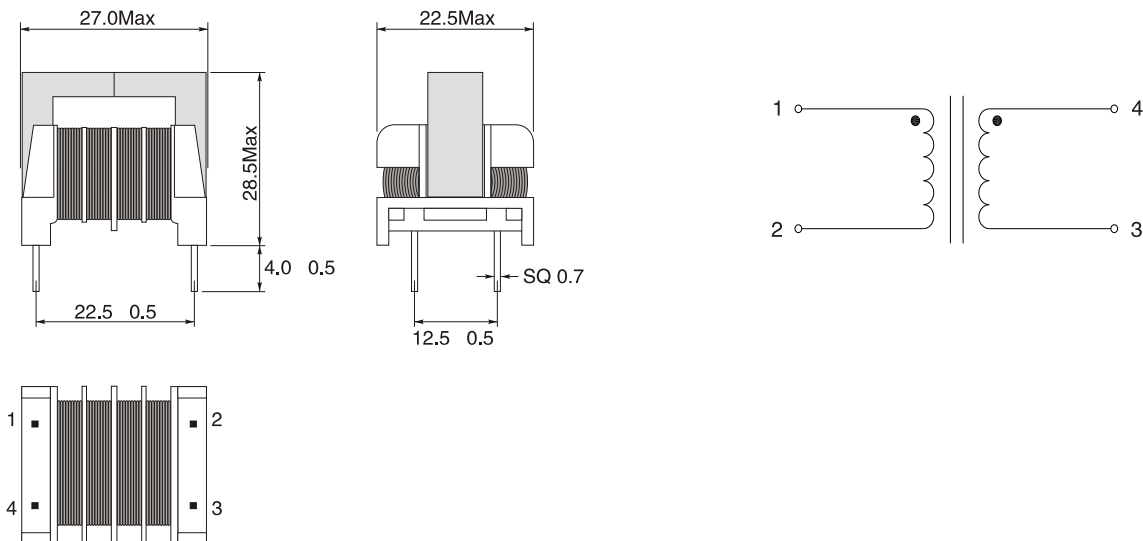
- EMC/EMI suppressors
- Suitable for all kinds of 100 ~ 500W power supply, electronic ballasts, LED power supply

ELECTRICAL CHARACTERISTICS@25°C

Part Number	Inductance (mH) +50%/-30%	Test condition	Wire (mm)	IDC (A)Max
LFU26-332Y	3.3	10KHz,0.05V	φ 0.1*60P	3.0
LFU26-682Y	6.8	10KHz,0.05V	φ 0.65	2.8
LFU26-153Y	15	10KHz,0.05V	φ 0.65	2.1
LFU26-253Y	25	10KHz,0.05V	φ 0.5	1.2
LFU26-303Y	30	10KHz,0.05V	φ 0.4	1.0

TECHNICAL INFORMATION & PHYSICAL CHARACTERISTICS

Dimensions(mm)



- Inductance Testing: 10KHz 0.05V HP4284A
- Test conditions of Electrical Properties: +25°C, 33% RH if not specified differently
- Rated Current: The current when temperature of coil increases up to Max. $\Delta T=40^{\circ}\text{C}$ ($T_a=25^{\circ}\text{C}$)
- It is recommended that the temperature of the component does not exceed +125°C under worst case conditions
- Operating temperature: -50°C to +110°C
- Storage Temperature: -20°C to +60°C
- Hi-Pot: 1000Vac/50Hz, 3mA, 1min. Winding to Winding
- Insulation Resistance: 100 MΩ Min when DC 500V between Winding to Winding
- Due to the limited space, the catalogue shows the typical specifications only. For more Specific details (characteristics graph, reliability, and others)
- Acceptable customers design custom